

**CODE 50158, 50159, 50160, 50161**

ASSEMBLY PAGE NAME			Machine Assembly	Machine Assembly (Rear side)					
CODE NO.:	K NO.:	FIGURE NO.:	A	B					
50159	K14028-2A	CV 420 AIR	1	1					
50158	K14028-3W	CV 420 WATER CA-25	1	2					
50161	K14029-2A	CV 505 AIR	2	3					
50160	K14029-3W	CV 505 WATER CA-25	2	4					

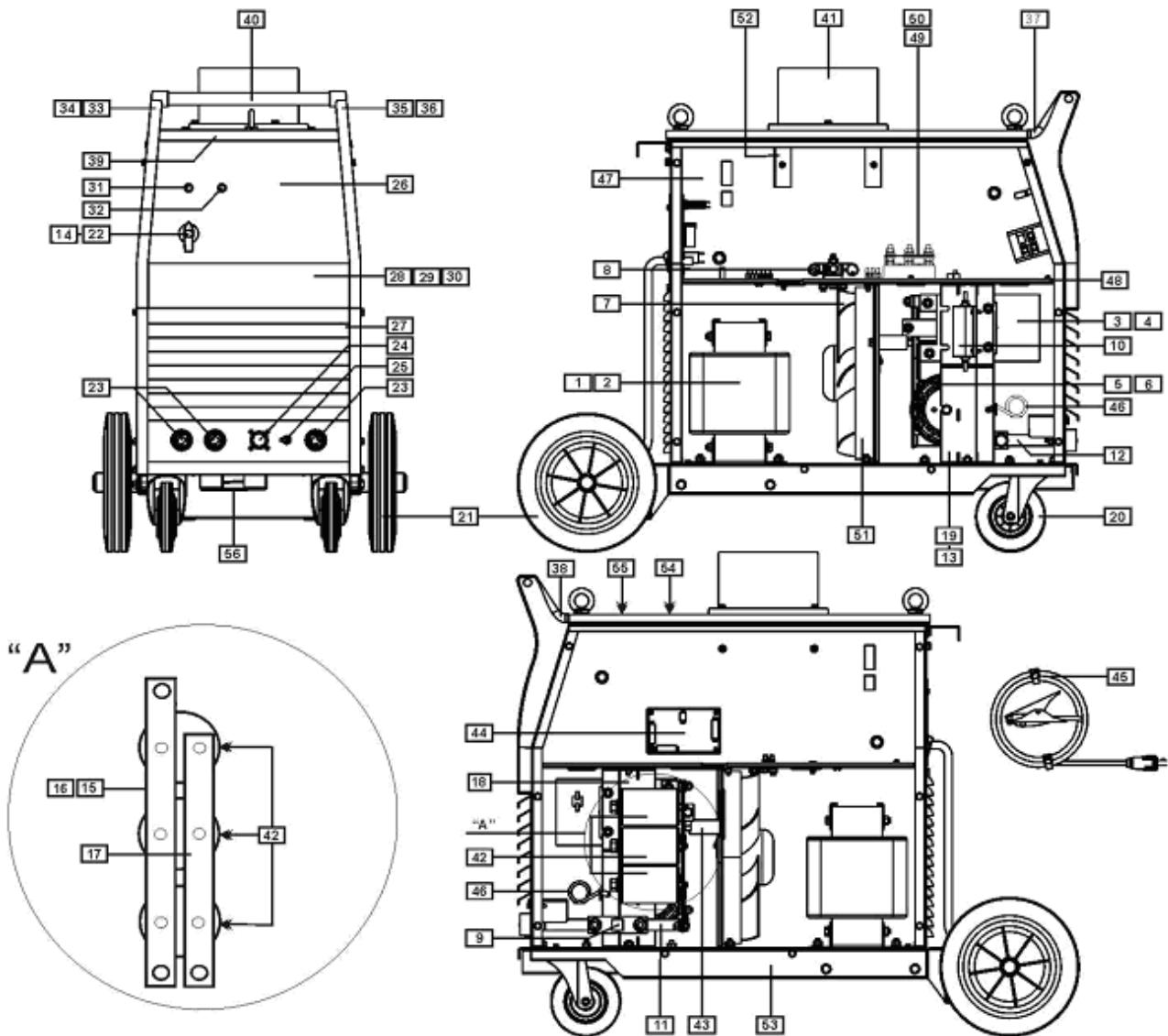


Figure A

**Figure A**

Item	Description	Part Number	QTY	1	2	3	4	5	6
1	MAIN TRANSFORMER T1	R-4034-060-1R	1	X	•				
2	MAIN TRANSFORMER T1	R-4034-059-1R	1	•	X				
3	RECTIFIER SET V1	R-0010-272-1R	1	X	•				
4	RECTIFIER SET V1	R-0010-273-1R	1	•	X				
5	CHOKE L1	R-4034-002-2R	1	X	•				
6	CHOKE L1	R-4034-077-1R	1	•	X				
7	FAN M1	R-8040-055-1R	1	X	X				
8	CAPACITORS C1,C2,C3	1158-125-374R	3	X	X				
9	SHUNT R2	0941-712-026R	1	X	X				
10	RESISTOR R1	1158-112-360R	1	X	X				
11	CONDUCTOR-RAIL	R-1010-014-1R	1	X	X				
12	CONDUCTOR-RAIL	R-1010-015-1R	1	X	X				
13	DIVIDER PANEL	R-3019-160-1/08R	1	•	X				
14	MAIN SWITCH S1	1115-260-009R	1	X	•				
15	CONDUCTOR-RAIL	R-1010-018-1R	1	•	X				
16	CONDUCTOR-RAIL	R-1010-019-1R	1	X	•				
17	CONDUCTOR-RAIL	R-1010-020-1R	1	X	X				
18	DIVIDER PANEL	R-3019-159-1/08R	1	X	X				
19	DIVIDER PANEL	R-3019-161-1/08R	1	X	•				
20	TURNING WHEEL	1029-660-127R	2	X	X				
21	WHEEL	1029-660-250R	2	X	X				
22	MAIN SWITCH S1	1115-260-118R	1	•	X				
23	SOCKET X2, X3, X4	C-2986-001-3R	3	X	X				
24	SOCKET X10	1158-641-130R	1	X	X				
25	VOLTMETER POLARITY SWITCH S9	1158-650-023R	1	X	X				
26	FRONT DECAL	2719-107-254R	1	X	X				
27	FRONT PANEL	R-3019-028-1/08R	1	X	X				
28	COVER	R-8040-035-2R	1	X	X				
29	LABEL	2719-107-992R	1	X	•				
30	LABEL	2719-107-993R	1	•	X				
31	SIGNAL LAMP H1	0917-421-041R	1	X	X				
32	SIGNAL LAMP H2	0917-421-024R	1	X	X				
33	LEFT HOLDER	1362-212-002R	1	X	X				
34	LEFT BRACKET (HANDLE)	D-3631-908-1/08R	1	X	X				
35	RIGHT HOLDER	1362-212-003R	1	X	X				
36	RIGHT BRACKET (HANDLE)	D-3631-908-2/08R	1	X	X				
37	LEFT SIDE HANDLE ASSEMBLY + CAP	1362-212-006R 1362-212-004R	1+1	X	X				
38	RIGHT SIDE HANDLE ASSEMBLY + CAP	1362-212-007R 1362-212-004R	1+1	X	X				
39	EDGE SHIELD	1362-212-010R	1	X	X				
40	HANDLE	0562-230-005R	1	X	X				
41	CARRIAGE SUPPORT	1361-598-181R	1	X	X				
42	CAPACITORS C5,C6,C7	1158-128-043R	3	X	X				
43	CAPACITOR C4	1158-121-001R	1	X	X				
44	CONTROL PCB	R-8040-208-1R	1	X	X				
45	GROUND CABLE WITH WORK CLAMP -3m	K14033-1	1	X	X				
46	POWER RESISSTOR R3	1158-112-008R	1	X	X				

47	DIVIDER PANEL	R-8040-021-2/08R	1	X	X				
48	SHELF	R-8040-066-1/08R	1	X	X				
49	TERMINAL BLOCK	1361-599-255R	1	X	X				
50	LABEL (U,V,W)	2719-107-044R	1	X	X				
51	WALL RING	R-3019-030-1/08R	1	X	X				
52	SUPPORT	R-8040-034-1/08R	1	X	X				
53	BOTTOM	R-8040-080-2/08R	1	X	X				
54	TOP PANEL	R-8040-020-1/02R	1	X	X				
55	LABEL (WARNING)	2719-107-728R	1	X	X				
56	TRAY	R-8040-032-1/08R	1	X	X				
57	LEFT SIDE PANEL (not show)	R-8040-019-1/02R	1	X	X				
58	LABEL (LEFT SIDE PANEL) (not show)	2719-107-995R	1	X	•				
59	LABEL (LEFT SIDE PANEL) (not show)	2719-107-997R	1	•	X				
60	RIGHT SIDE PANEL (not show)	R-8040-019-2/02R	1	X	X				
61	RIGHT (LEFT SIDE PANEL) (not show)	2719-107-994R	1	X	•				
62	RIGHT (RIGHT SIDE PANEL) (not show)	2719-107-996R	1	•	X				

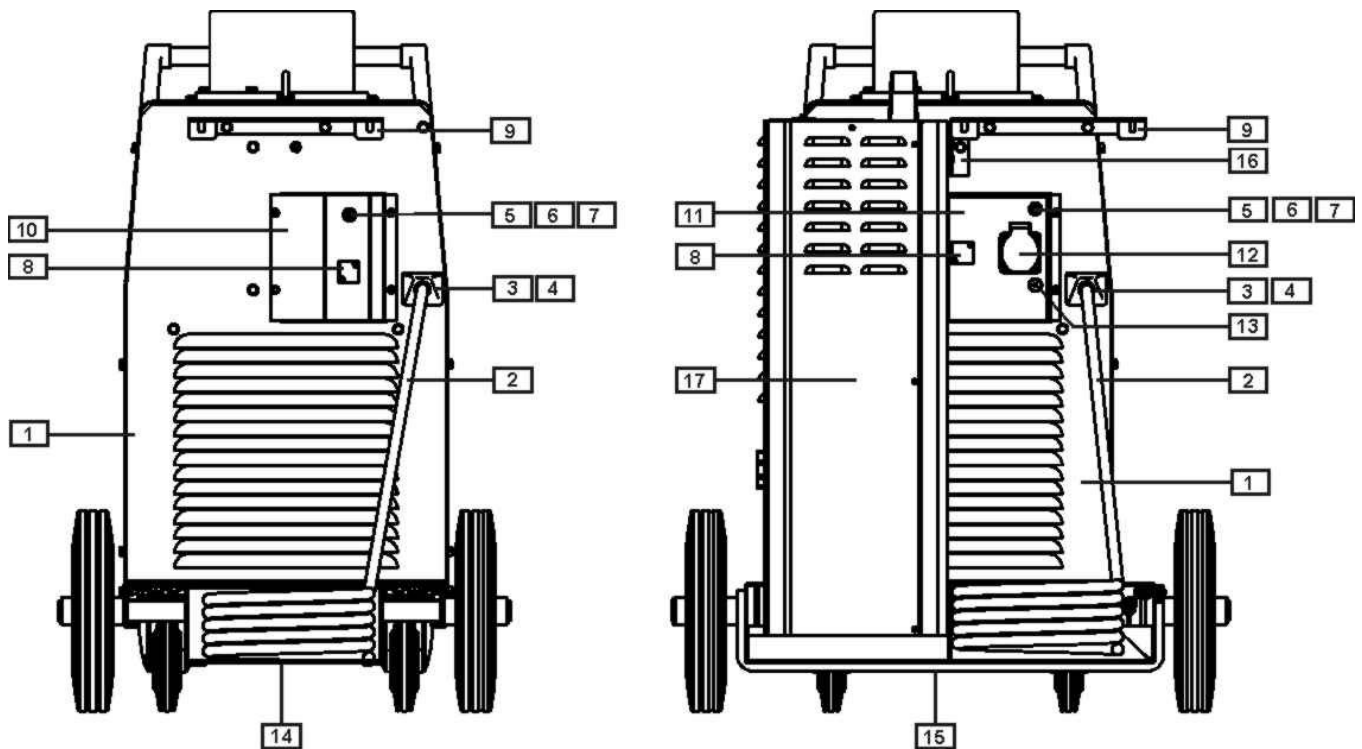


Figure B

**Figure B: Machine Assembly (Rear side)**

Item	Description	Part Number	QTY	1	2	3	4	5	6
1	REAR PANEL	R-8040-031-1/08R	1	X	X	•	•		
	REAR PANEL	R-8040-129-1/08R	1	•	•	X	X		
2	MAINS CORD without PLUG -5m (4x6mm <sup>2</sup> )	R-5041-026-1R	1	X	X	•	•		
	MAINS CORD without PLUG -5m (4x10mm <sup>2</sup> )	R-5041-121-1R	1	•	•	X	X		
3	CABLE BOX	1361-599-665R	1	X	X	•	•		
	CABLE BOX	1361-599-250R	1	•	•	X	X		
4	CAMP	1361-599-633R	1	X	X	•	•		

	CAMP	1361-599-620R	1	•	•	X	X		
5	FUSE F1 (6,3A, 400V)	1158-660-008R	1	X	X	X	X		
6	FUSE SOCKET	1158-632-032R	1	X	X	X	X		
7	FUSE CAP	1158-632-033R	1	X	X	X	X		
8	HOLE PLUG	1361-599-058R	1	X	X	X	X		
9	CHAIN SUPPORT	C-2631-407-1/08R	1	X	X	X	X		
10	PANEL	D-3721-403-2/08R	1	X	•	X	•		
11	PANEL	R-3019-045-1/08R	1	•	X	•	X		
12	SOCKET X9 (ONLY WATER)	1131-222-004R	1	•	X	•	X		
13	CIRCUIT BREAKER Q1 (ONLY WATER)	1115-299-027R	1	•	X	•	X		
14	SHELF	R-3019-042-1/08R	1	X	•	X	•		
15	SHELF	R-3019-026-1/08R	1	•	X	•	X		
16	COOLER BRACKET CA 25 (ONLY WATER)	R-1019-070-1/08R	1	•	X	•	X		
17	WATER COOLER CA 25 (ONLY WATER)	K14037-1	1	•	X	•	X		
18	WIRING HARNESS (SECONDARY VOLTAGE)	R-7040-034-1R	1	X	X	X	X		
19	WIRING HARNESS (MAIN VOLTAGE)	R-7040-036-1R	1	•	X	•	X		
20	WIRING HARNESS (MAIN VOLTAGE)	R-7040-036-2R	1	X	•	•	X		